

Technical Data

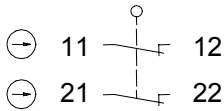
Plastic bodied limit switch

Series I88

Description **I88-SA2Z VKW RE 90GR**

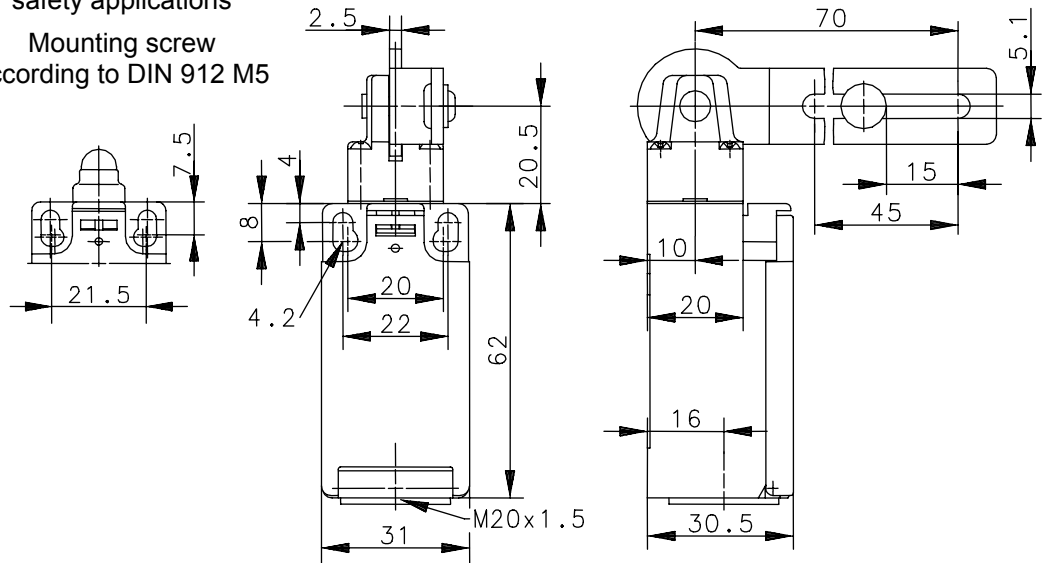
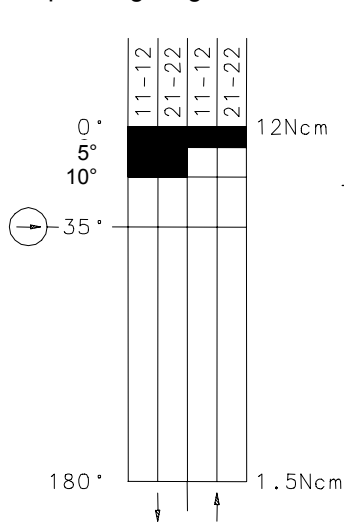
Article number **6186800468**



Operating symbol




Fixed positioning for
safety applications
Mounting screw
according to DIN 912 M5

Operating diagram



  Tolerance:
 Operating point $\pm 3,5^\circ$;
 Operating torque $\pm 10\%$

Electrical data

Rated insulation voltage	U_i	250 V AC
Conv. thermal current	I_{the}	10 A
Rated operational voltage	U_e	240 V
Utilization category		AC-15, U_e/I_e 240 V / 3 A
Direct opening action		acc. to IEC/EN 60947-5-1, Annex K
Short-circuit protective device		Fuse 6 A gG
Protection class		II, totally insulated

This document will not become the contractual basis; the details included herein do not constitute any descriptions of expected conditions, so that warranties/claims for defects on account of possible variations of the actual qualities from the qualities described herein are explicitly excluded. All rights reserved. Specifications subject to change without notice!

Date of issue: 22.07.2011 / Page 1 of 2
Document : 6186800468_en / Last update : 2 / 2478-11